

Service-Friendly
Design

Enterprize II™

No Air-Loss Condensate Drain

Model: **NCC2701-D** (115 VAC)

NCC2702-D (230 VAC)

Enterprize II™ drains are a reliable, electrically operated condensate draining solution for compressed air system applications. They include a direct-acting valve assembly with large orifice and mesh strainer that resists blockage and assures complete discharge of clean or heavily emulsified liquids, even those containing rust and scale. With Enterprize II™ installed, valuable compressed air is never wasted because electronic level sensing is used to control liquid volume within the drain and automatically function the discharge valve.

Using a simple three-step procedure to access the serviceable components, Enterprize II™ drains are easily maintained in the field. Connection to the built-in Alarm Circuit enables remote monitoring of drain condition. Drain operating status can be visually monitored through the LED indicators on the valve body.



Enterprize II™ drains are readily adaptable with three inlet connection options: one top port; two side ports.

The drain valve is protected with an integrated metal mesh screen that is easy to access and clean.



Robust design, trouble-free operation and user-friendly features make Enterprize II™ the drain of choice for compressed air system operators.

See reverse side for Technical Specifications.

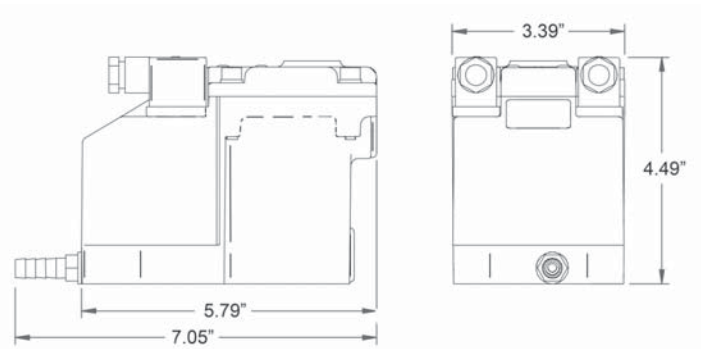
The Next Generation Of Compressed Air Drains

- Does not waste compressed air
- Direct-acting valve with large orifice resists blockage
- Corrosion-resistant aluminum vessel
- Discharges clean, emulsified and dirty condensate
- Protected against voltage irregularities
- Visual display of operating status
- Alarm Contact for remote signaling
- Simple three-step disassembly for service



Enterprize II™

No Air-Loss Condensate Drain



Technical Specifications

Model No.:	NCC2701-D (115 VAC) NCC2702-D (230 VAC)
Inlet Connection Size:	1/2" NPT (1 Top, 2 Side)
Outlet Connection Size:	1/4" Drain comes standard with brass barb
Operating Pressure (Min./Max.):	0-230 PSI
Operating Temperature (Min./Max.):	35°F - 120°F
Supply Voltage Options:	115 VAC; 50/60 Hz (NCC2701-D), 6' Power Cord, 3 Prong (w/Ground) 230 VAC; 50/60 Hz (NCC2702-D), 6' Power Cord, 3 Prong (w/Ground)
Electrical Protection Rating:	IP65/NEMA 4
Discharge Valve:	Two-way; Direct-acting with FPM seals; 4.5 mm orifice
Inlet Strainer:	Integrated; Metal mesh
Controls:	Internal Electronic Level Sensing One Push Button for TEST
Visual Indicators:	LED - Drain Operating LED - Discharge Valve Open LED - Alarm
Alarm Contact:	Voltage-free contact output switch: Normally Open (NO) - Closes when in alarm state Alarm LED illuminates when drain is in alarm state.
Alarm Power Options:	Max. 230VAC/4A; 1000VA or 200VDC; 100W DIN 43650-B Connector
Mounting/Leveling:	Base is threaded for 4 machine screws (M3 x .5)
Warranty:	1 Year

Service and Maintenance Kits are available for Enterprize II™ drains.

Reference the Part Numbers shown below when ordering:

#683672 Service Kit - Plunger assembly, Plunger O-ring, Springs

#683673 Maintenance Kit - Service Kit plus Housing seal, Cleaning brush, Allen wrench



1302 Goshen Parkway
West Chester, PA 19380

Phone: 610-692-9100 800-888-2323

Fax: 610-692-9192

Web: www.zeks.com

Specifications, illustrative materials and descriptions contained herein were as accurate as known at the time this publication was approved for printing. The company reserves the right to change specifications, discontinue models, equipment or design without notice and without incurring obligation. The information set out in this brochure is for preliminary information only and is not intended to constitute any representation or warranty by ZEKS to potential customers or to form the basis of a contract with any customer.